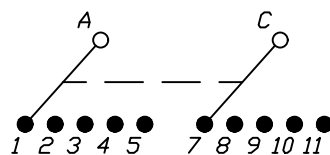
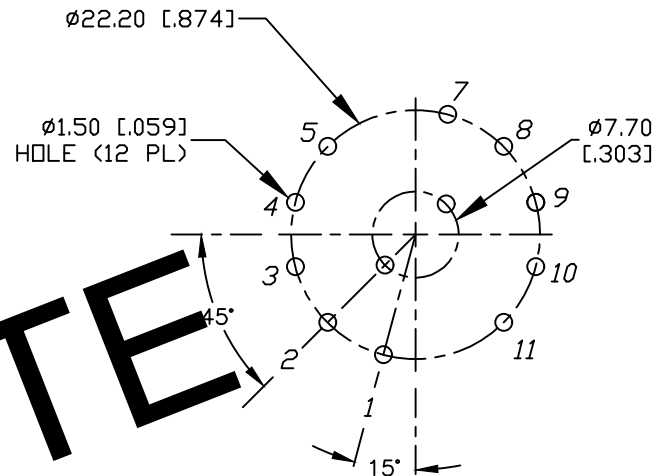


NOTES:

1. ALL DIMENSION IN MM [INCH]
2. GENERAL TOLERANCE: X.X=±0.4  
X.XX=±0.25
3. TERM. NOS. FOR REF. ONLY
4. CONTACT RATING SWITCHING: 150mA, 250V AC/DC  
350mA, 110V AC/DC
- ▲ 5. CONTACT MATERIAL: Gold Flash over Copper Alloy.
6. OPERATING FORCE: 425±100 CM/STANDARD
7. OPERATING TEMP: -30° to 85°C
- ▲ 8. CIRCUIT 2Pole: 5 POSITIONS, 30° INDEX.
9. DIELECTRIC STRENGTH: 1000V RMS min. @SEA LEVEL
- ▲ 10. DESIGNATE MAJOR DIMENSIONS
11. STOP RING, LOCK NUT AND WASHER NOT SHOWN.



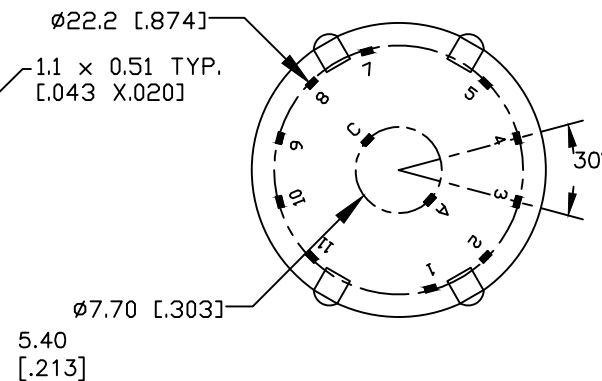
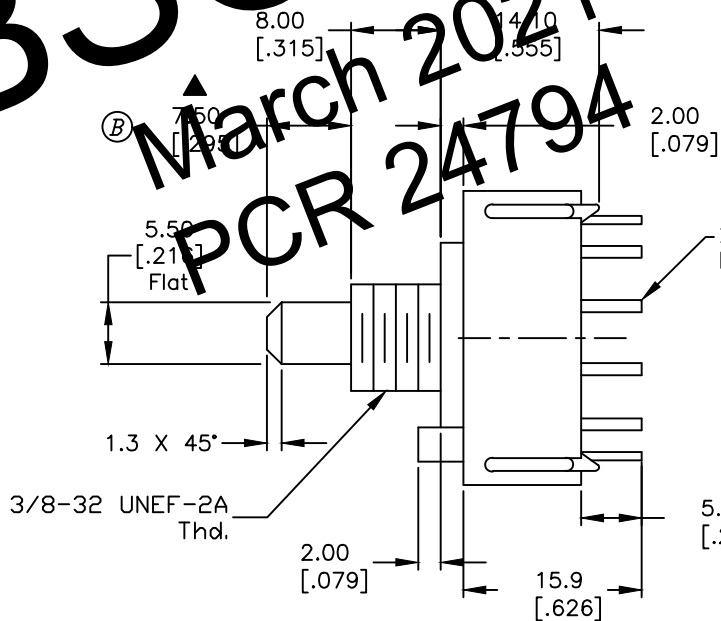
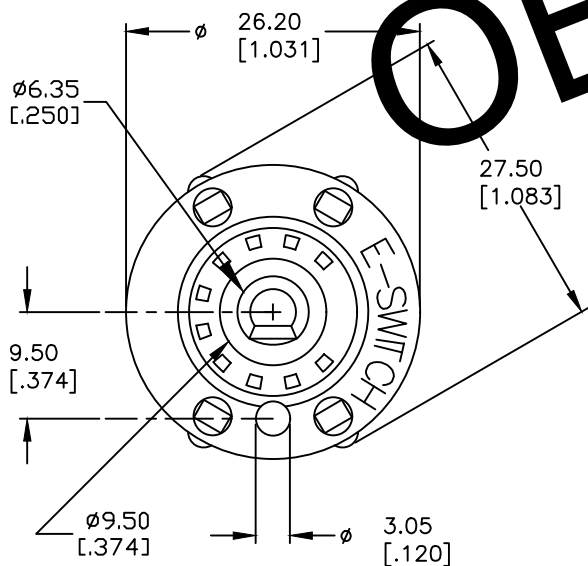
CONTACT CONFIGURATION (BBM)



RECOMMENDED P.C.B. LAYOUT

OBSOLETE

March 2021  
PCR 24794



**E-SWITCH®**

B	11914	REVISED PART DESCRIPTION	1/4/02	CJB
REV.	ECN No.	DESCRIPTION	DATE	CHKD

TITLE KC-25-A (7.5) -01-N-P-F				
SCALE 1.5:1	DATE 5/29/01	DR CJB	DWG G510251	REV B

THE INFORMATION CONTAINED IN THIS DOCUMENT IS PROPRIETARY TO E-SWITCH AND IS NOT TO BE COPIED OR TRANSFERRED